



“Better By Design”

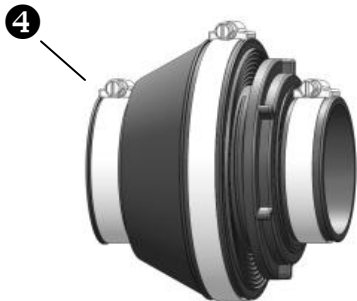
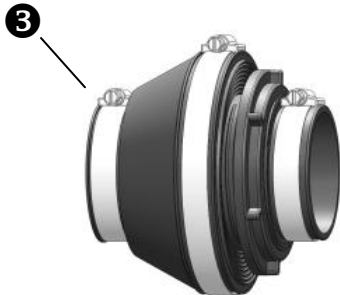
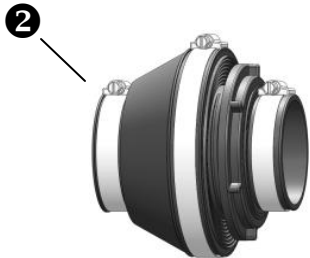
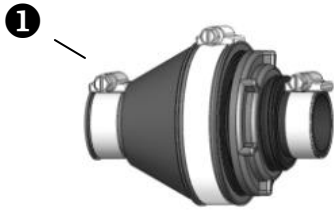
B Series Double Sided Threaded Penetration Fittings

TECHNICAL DATA SHEET

These unique penetrations require only one hole (hole saw size follows product number – B2 requires a 2” hole saw, etc.) The seal is molded onto the body and has a conical shape allowing the penetration to seal to flat and curved surfaces.

Double sided versions include a ‘rock guard’ boot on the exterior of the sump.

Threaded penetrations are available for conduit sizes from ½” nominal pipe through 4” LCX pipe.



- ❶ B2D penetrations typically are used on ½” through 1” rigid conduits.
- ❷ B3.5D penetrations are used on pipes 1 ½” nominal through 2” LXC and 75mm pipe.
- ❸ B5D penetrations are typically used on 2” nominal and 3” LCX.
- ❹ B6D penetrations are typically used on pipes up to 4” nominal and 4” LCX.

Penetrations are shipped with Series 300 all stainless clamps.

Bodies and Nuts are manufactured out of Injection Molded Acetal. These components are then CNC Machined. The Boot and seal are also Injection Molded over the Body to complete the assembly.

Dimensional Data and Product Numbers on Reverse

THIRD PARTY APPROVALS



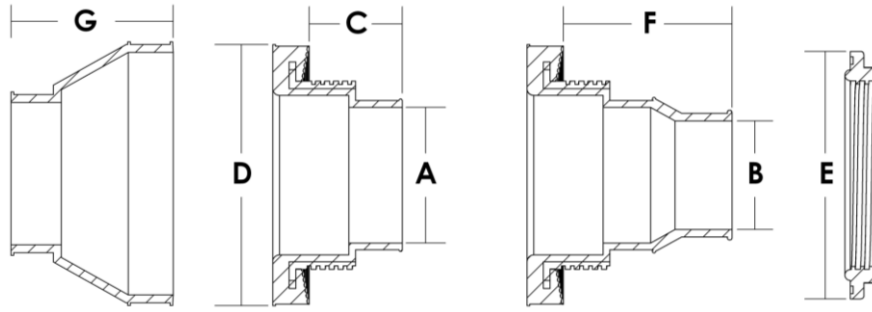
UL Listed
to 1996
Protocols

PRODUCTS USED ON THIS PROJECT

	Yes	No		
❶	<input type="checkbox"/>	<input type="checkbox"/>	Conduit Penetrations	PF-B2D-_____
❷	<input type="checkbox"/>	<input type="checkbox"/>	Small Flex Pipe Penetrations	PF-B3.5D-_____
❸	<input type="checkbox"/>	<input type="checkbox"/>	Pipe Penetrations up to 3” LCX	PF-B5D-_____
❹	<input type="checkbox"/>	<input type="checkbox"/>	Pipe Penetrations up to 4” LCX	PF-B6D-_____



Double Sided Threaded Penetration Fitting Dimensional Data



Part Number	A	B	C	D	E	F	G
PF-B2D-1.1	1.100	N/A	1.750	3.025	2.925	N/A	2.650
PF-B2D-1.2	1.200	N/A	1.750	3.025	2.925	N/A	2.650
PF-B2D-1.3	1.300	N/A	1.750	3.025	2.925	N/A	2.650
PF-B2D-1.4	1.450	N/A	1.750	3.025	2.925	N/A	2.650
PF-B2D-41	1.450/1.100	N/A	1.750	3.025	2.925	N/A	2.650
PF-B3.5D-1.5	1.500	N/A	1.700	5.025	4.500	N/A	3.400
PF-B3.5D-1.6	1.600	N/A	1.700	5.025	4.500	N/A	3.400
PF-B3.5D-1.6x1.3	1.600	1.300	N/A	5.025	4.500	3.070	3.400
PF-B3.5D-1.7	1.700	N/A	1.700	5.025	4.500	N/A	3.400
PF-B3.5D-1.9	1.900	N/A	1.700	5.025	4.500	N/A	3.400
PF-B3.5D-2.0	2.000	N/A	1.700	5.025	4.500	N/A	3.400
PF-B3.5D-2.2	2.200	N/A	1.700	5.025	4.500	N/A	3.400
PF-B3.5D-2.4	2.400	N/A	1.700	5.025	4.500	N/A	3.400
PF-B3.5D-2.5	2.500	N/A	1.700	5.025	4.500	N/A	3.400
PF-B3.5D-2.5x2.0	2.500	2.000	N/A	5.025	4.500	3.070	3.400
PF-B3.5D-2.7	2.700	N/A	1.700	5.025	4.500	3.070	3.400
PF-B3.5D-2.7x2.4	2.700	2.400	N/A	5.025	4.500	3.070	3.400
PF-B5D-2.7	2.700	N/A	1.800	6.500	6.150	N/A	N/A
PF-B5D-2.7x2.4	2.700	2.4	N/A	6.500	6.150	3.650	N/A
PF-B5D-3.0	3.000	N/A	1.800	6.500	6.150	N/A	N/A
PF-B5D-3.0x2.5	3.000	2.5	N/A	6.500	6.150	3.650	N/A
PF-B5D-3.6	3.600	N/A	1.800	6.500	6.150	N/A	N/A
PF-B5D-3.6x2.4	3.600	2.4	N/A	6.500	6.150	3.650	N/A
PF-B5D-3.8	3.800	N/A	1.800	6.500	6.150	N/A	N/A
PF-B5D-3.8x3.6	3.800	3.6	N/A	6.500	6.150	3.650	N/A
PF-B6D-3.8	3.800	N/A	2.700	7.500	7.400	N/A	N/A
PF-B6D-4.4	4.380	N/A	2.700	7.500	7.400	N/A	N/A
PF-B6D-4.5	4.550	N/A	2.700	7.500	7.400	N/A	N/A
PF-B6D-4.8	4.780	N/A	2.700	7.500	7.400	N/A	N/A
PF-B6D-5.0	5.050	N/A	2.700	7.500	7.400	N/A	N/A