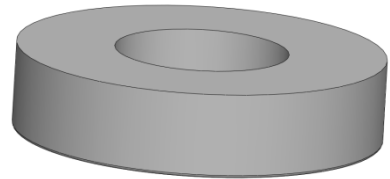
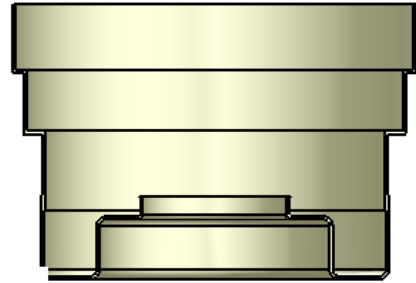
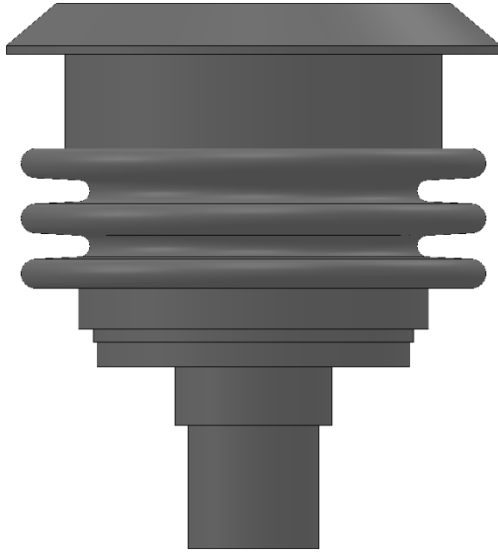


# SCL – EBW – 705

Spill Containment Liner for EBW – 705 Spill Container



## SCL-EBW - 705 Kit Consists of:

<u>Part Number</u>	<u>Description</u>
<input type="checkbox"/> SCL-EBW-705	Liner
<input type="checkbox"/> SP.75	Spacer, 3/4" thick, Styrofoam coated in polysulfide
<input type="checkbox"/> DBF III	2 - 22 oz Dual Cartridge Sets of Fill liquid W/ SM-4
<input type="checkbox"/> DBB V	2 - 50 ml Dual Cartridge Set of Methyl Methacrylate w/SM-3
<input type="checkbox"/> Size 72	4" Band Clamp
<input type="checkbox"/> DP4	Drain Plug
<input type="checkbox"/> DBC	12 oz Aerosol Cleaner
<input type="checkbox"/> SCL-EBW-705	Installation Instructions
<input type="checkbox"/> C&B	1 Cup & 1 Brush
<input type="checkbox"/> Gloves	Gloves, 2 pair





# SCL-EBW 705

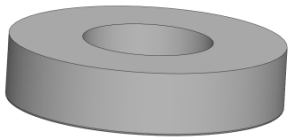
## Liner Installation Instructions For EBW 705 Spill Containers

Patent Pending

### Step 1

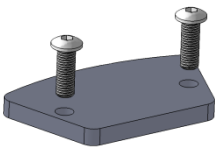
**WARNINGS**

1. Read these instructions first
2. Read MSDS for cleaners & sealers
3. Wear appropriate EYE & HAND protection

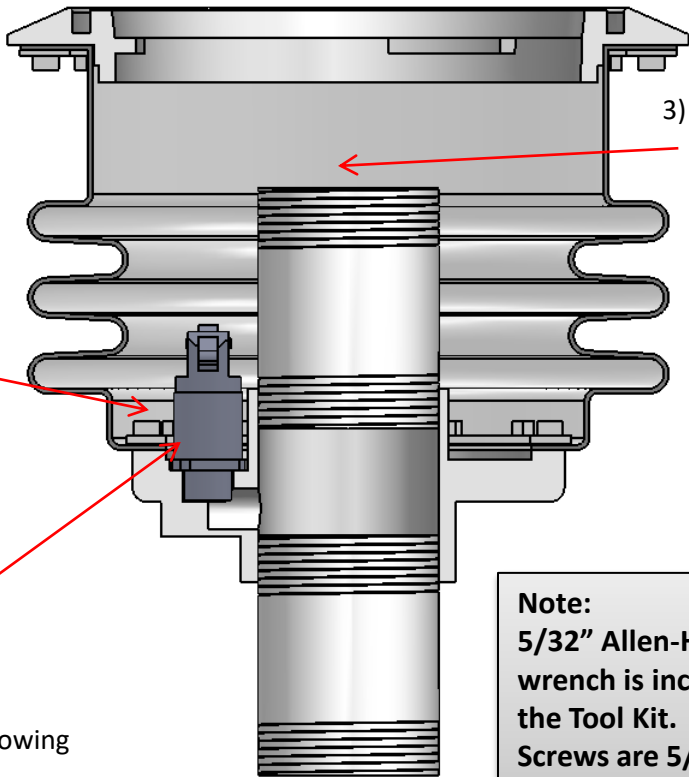


Polysulfide coated  
Styrofoam spacer

- 1) Remove drain valve following these instructions:
- Remove Allen-Head screws
  - (Save screws for use with new plug)
  - Lift drain valve out



- 2) Install DP4 plug (provided in kit) following these instructions:
- Set plug in place over old drain valve mounting holes
  - Install Allen-Head screws and tighten snugly



3) Remove cap and adapter

**Note:**  
5/32" Allen-Head wrench is included in the Tool Kit.  
Screws are 5/32" Allen-Head with 1/4-20 threads @ 3/4" long

**Steps**

1. Remove drain valve if applicable
2. Install "DP4 plug" if needed
3. Remove cap and adapter



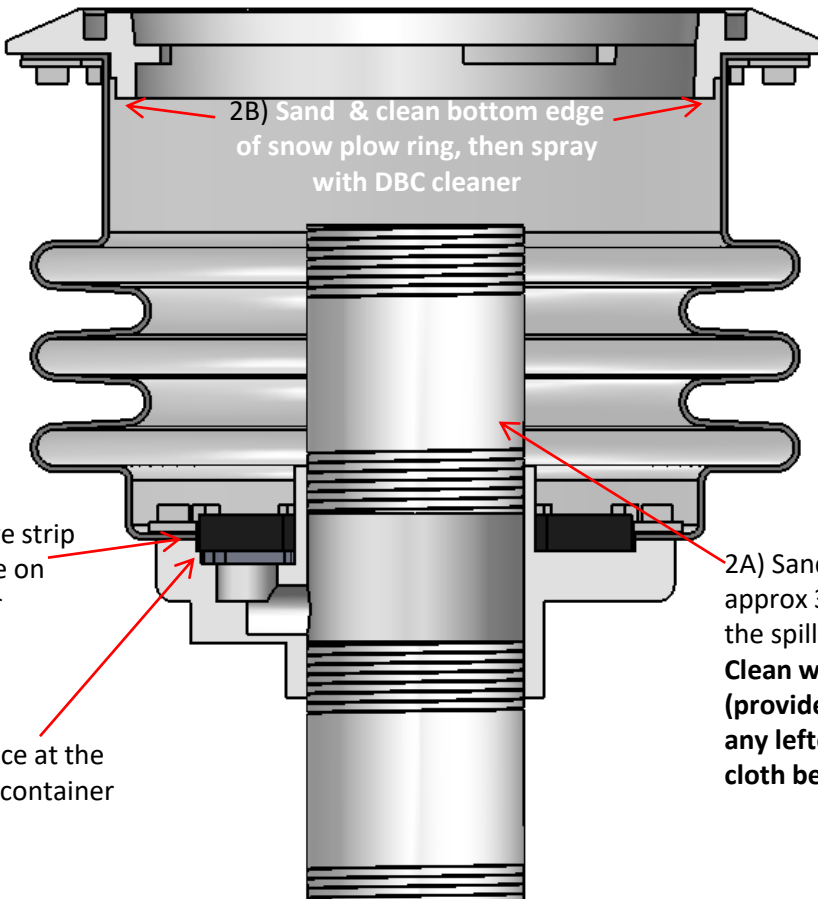
# SCL-EBW 705

## Liner Installation Instructions For EBW 705 Spill Containers

Patent Pending

### Step 2

1) Replace riser if necessary to meet local codes.  
*Riser, adapter, and replacement cap are not part of this repair kit*



2B) Sand & clean bottom edge of snow plow ring, then spray with DBC cleaner

3) Remove protective strip from sticky-back tape on bottom of the spacer

2A) Sand up around the riser approx 3" from the bottom of the spill container bucket. Clean with DBC aerosol (provided in the kit), then dry any leftover DBC with air or cloth before proceeding

4) Put spacer in place at the bottom of the spill container bucket

#### Note:

Make sure the area where the spacer is going is DRY before placing the spacer in place

#### Steps

1. Replace riser if needed
2. Sand & clean Riser & bottom edge of snow plow ring
3. Remove protective strip from sticky back tape on bottom of spacer
4. Put spacer in place



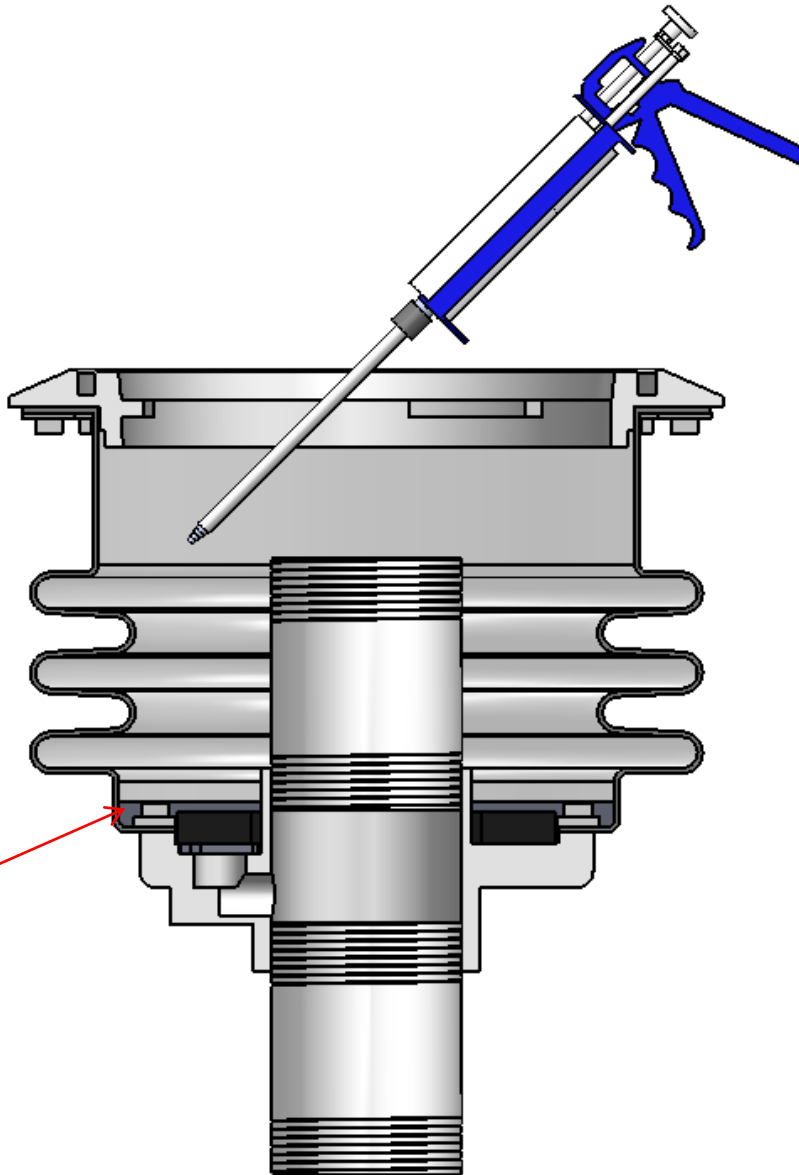
MEMBER  
**PEI**  
PETROLEUM EQUIPMENT INSTITUTE

# SCL-EBW 705

## Liner Installation Instructions For EBW 705 Spill Containers

Patent Pending

### Step 3



1) Fill bottom of the spill container with DBF III. **Make sure that the spacer & nuts are covered**

#### Steps

1. Fill bottom with DBF III to cover nuts & space.



# SCL-EBW 705

## Liner Installation Instructions For EBW 705 Spill Containers

Patent Pending

### Step 4

1a) Be sure the entire inner "upper" perimeter area is clean and dry.

- Use DBC aerosol cleaner.
- Air dry or wipe dry with a clean dry cloth.

1b) Clean the surface of the riser section to be bonded with DBC aerosol cleaner.

- Air dry or wipe dry with a clean dry cloth.

5) Pull up the liner and slide into place behind the snow plow ring

6) Gently push the liner down as needed to settle the bottom of the liner into curing DBF III fill after placing the liner behind the snow plow ring. **Make sure the liner stays behind the snow plow ring**

NOTE:

4) *On spill containers where the snow plow ring has not been centered within the body, the top of the liner may need to be trimmed*

2) Apply a thick bead of DBB V within 1.5" above the fill around the base of the 4" riser.

3) Collapse the liner & slide into the spill container.

#### Steps

1. Clean bonding surfaces with DBC Cleaner and dry immediately before installing Liner
2. Apply a bead of DBB V around the base of the 4" riser
3. Collapse liner and slide into place
4. Trim top of liner as needed to make fit
5. Pull up the liner and place behind the snow plow ring
6. Settle liner back down into DBF III fill –DO NOT pull upper edge out of the snow plow ring



# SCL-EBW 705

## Liner Installation Instructions For EBW 705 Spill Containers

Patent Pending

### Step 5

NOTE:

*Top of liner should fit under the ridge on the snow plow ring.*

*Trim as needed before doing these steps*

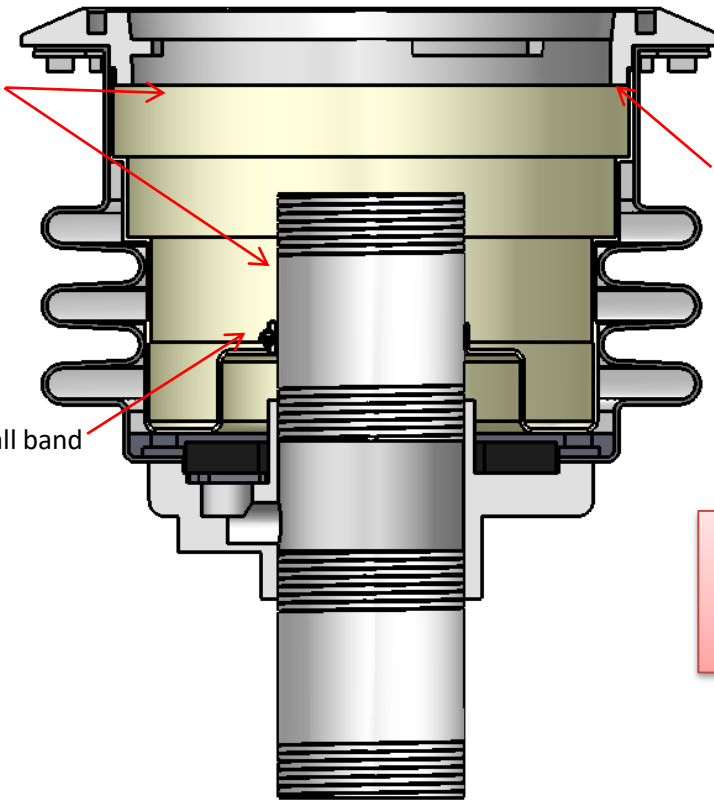
3) Paint with DBF III around the top of the liner and around the riser where the clamps attach.

**Make sure to cover all exposed bonder**



Using the extra mixer fill Cup with DBF III Used to paint liner to 4" riser & snow plow ring

1) Install band clamp



2) Apply thick bead of DBB V under lower edge of snow plow ring. Spread with finger to make sure this area is completely covered

**Note: Cover all exposed liner & any exposed DBB V with DBF III liquid**

### Steps

1. Install band clamp over liner cuff and secure to the riser
2. Apply thick bead of DBB V under lower edge of snow plow ring
3. Use DBF II in the cup to paint the top part of the liner cuff & the riser clamp & any exposed DBB V
4. Reinstall adaptor and cap
5. After 1 hour curing, spill container may be hydrostatic or vacuum tested per local requirements