

# Above Ground UDC's Catalog

*Better  
By  
Design*



*Check  
It  
Out*

**June 2023**



*"Better by Design"*

Diversified Products Manufacturing, Inc.

# Above Ground Under Dispenser Containment Catalog

## Table of Contents

<b>Product Introduction</b>	
Above Ground Under Dispenser Containment	Page 1
<b>Product Bulletin</b>	
Most Cost Effective	Page 2
<b>Price List</b>	
Product Number Key	Page 3
Atlas Surface Mounted	Page 4
Atlas Pedestal Mounted	Page 5
Atlas Flush Mounted	Page 6
<b>Data Sheets</b>	
Above Ground UDC's	Page 7-9
<b>Installation Instructions</b>	
Above Ground UDC's	Page 10
<b>Third Party Approvals</b>	
Roundtable	Page 11
ND Eryou	Page 12-14
<b>Reference Data</b>	
Competitive Analysis Bravo	Page 15
Competitive Analysis Morrison	Page 16

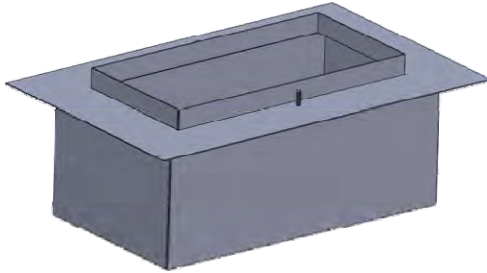


Diversified Products Manufacturing  
5523 Baggett Marysville Road Oroville CA 95965  
530-534-3966 - [www.dpm-co.com](http://www.dpm-co.com) - Order Entry Email: [sales@dpm-llc.com](mailto:sales@dpm-llc.com)



*"Better By Design"*

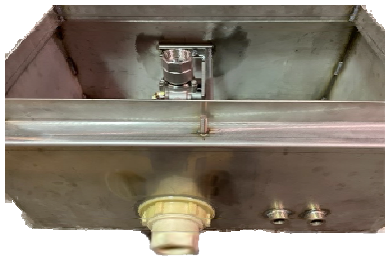
**Most Cost Effective Above Ground UDC Pre Manufactured**



**Features**

**All Configurations Available**

- Reduced Height for ADA Compliance
- Stainless or Powder Coated Options
- Pre Plumbed and Pre Wired Available
- Third Party Approvals



**Benefits**

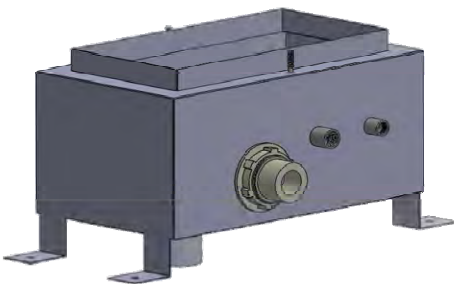
**Pre Manufactured Containment Reduces Total Costs**

- Float Trip Assemblies Saves Alarm Wiring Costs
- Quick Installation Reduces Installation Costs



**Applications**

- Single or Dual Product UDC's
- DEF Units - All Stainless with DEF Shear Valve
- Truck Stop - Satellite Units Available
- Truck Stop - Master Units Available
- Truck Stop Master/Satellite Units Available
- Flush Mounted for Marinas



EQ-742 EQ-801 EQ-836





Above Ground UDC's

Compared to the competition,  
**DPM is the Most Cost Effective  
on the Market**

Diversified Products Manufacturing Inc now offers a solution to the problem at a competitive price.



Surface Mounted



Pedestal Mounted



Flush Mounted

Available for all Applications & Dispensers  
Contact the factory for your custom needs



Add Welded Conduit Couplings for Power and Alarm Circuits  
Standard or Custom Locations



Choice of Epoxy Powder Coating or 304 Stainless Steel



Pre Piped, Standard Single Line, Master, Master/Satellite, Satellite, & DEF Options Available

Third Party Approved to UL 2447 Protocols

Call us for a sample or test site

We have been here since 1991

First testable Penetration, Magnetic Tank Sump Lid, Compact Penetration, & now all the options for AG UDC's you need.

**CHECK IT OUT**

Call a Diversified representative to discuss your project needs. 530-534-3966



# Product Number Key



ESA - SM - PC - CPC - TS1 - 1 1/2 - EA

ESA	Atlas Series of Products
ESB	Bennett Series of Products
ESW	Wayne Series of Products

SM	SM	Surface Mounted
	PM	Pedestal Mounted
	FM	Flush Mounted

PC	PC	Powder Coated Sump
	SS	Stainless Steel Sump

CPC	CPC	Two Powder Coated Couplings
	CSS	Two Stainless Couplings

DEF	STD	Standard Atlas Series
	DEF	Atlas DEF Sump
	TS1	Truck Stop 1 Line
	TS2	Truck Stop 2 Lines
	TS3	Truck Stop 3 Lines

1 1/2	2	2" Female Pipe Thread
	1 1/2	1 1/2" Female Pipe Thread

EA	EB	Electrical Bracket Installed - No sensor
	EA	Electrical Assembly Installed including Sensor

Note: A Stainless Steel sump may be ordered with a Powder Coated shear valve, and piping assembly.



"Better By Design"

# Atlas AG UDC - Surface Mounted

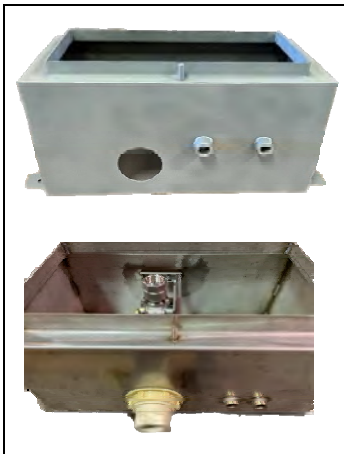
Note: All Product Numbers on this page, use a prefix ESA.  
Add A for Atlas, B for Bennett, or W for Wayne.  
Contact factory for pricing for Bennett and Wayne specific footprints.

## Powder Coated Steel - Surface Mounted - Contact Factory for Quantity Discount for >9 Units



Part #	Description	List Price
SM-PC-O-O-O-O	Surface Mounted (SM) No Holes Basic Unit	\$1,784.16
SM-PC-CPC-O-O	Surface Mounted (SM) with 3/4" & 1" Welded Couplings	\$1,906.99
SM-PC-CPC-STD -1.5-O	SM w/ 3/4 & 1" Couplings, PC 1 1/2" DP Shear Valve Plumbed for 1 1/2" Pipe	\$2,786.12
SM-PC-CPC-STD-2-O	SM w/ 3/4 & 1" Couplings, PC 1 1/2" DP Shear Valve plumbed for 2" Pipe	\$2,786.12
SM-PC-CPC-TS1-1.5-O	Truck Stop Satellite SM w/Couplings, PC, double poppet shear valve for 1 1/2" Pipe	\$2,665.09
SM-PC-CPC-TS2-2-O	Truck Stop Master SM w/couplings, PC 1 1/2" Single Poppet Shear Valve and 2" DPSV plumbed for 1 1/2" & 2" Pipe	\$3,980.71
SM-PC-CPC-TS3-2-O	Truck Stop Master/Satellite SM w/couplings, PC 1 1/2" SPSV PC 1 1/2" DPSV and 2" DPSV plumbed for 1 1/2" & 2" Pipe	\$4,636.43

## Stainless Steel - Surface Mounted - Contact Factory for Quantity Discount for >9 Units



Part #	Description	List Price
SM-SS-O-O-O-O	Surface Mounted (SM) No Holes Basic Unit	\$2,688.18
SM-SS-CSS-O-O	Surface Mounted (SM) with 3/4" & 1" Welded Couplings	\$2,831.85
SM-SS-CSS-STD -1.5-O	SM w/ 3/4 & 1" Couplings, PC 1 1/2" DP Shear Valve Plumbed for 1 1/2" Pipe	\$3,710.98
SM-SS-CSS-STD-2-O	SM w/ 3/4 & 1" Couplings, PC 1 1/2" DP Shear Valve plumbed for 2" Pipe	\$3,710.98
SM-SS-CSS-DEF-1.5-O	Surface Mounted all stainless Sump for DEF Applications with Welded Couplings & Shear Valve for 1 1/2" Pipe	\$3,484.25
SM-SS-CSS-TS1-1.5-O	Truck Stop Satellite SM w/Couplings, PC, double poppet shear valve for 1 1/2" Pipe	\$3,589.95
SM-SS-CSS-TS2-2-O	Truck Stop Master SM w/couplings, PC 1 1/2" Single Poppet Shear Valve and 2" DPSV plumbed for 1 1/2" & 2" Pipe	\$4,905.57
SM-SS-CSS-TS3-2-O	Truck Stop Master/Satellite SM w/couplings, PC 1 1/2" SPSV PC 1 1/2" DPSV and 2" DPSV plumbed for 1 1/2" & 2" Pipe	\$5,561.29

## Electrical Options



Part #	Description	List Price
SM-O-O-O-O-EB	Added for installing rigid Conduit, Unilet, Seal off, & Sensor Mounting Bracket	\$311.43
SM-O-O-O-O-EL	Added per above plus Veeder Root 208 mounted and wired Other Sensors Available	\$1,347.43



Diversified Products Manufacturing  
5523 Baggett Marysville Road Oroville CA 95965  
530-534-3966 - www.dpm-co.com - Order Entry Email: sales@dpm-llc.com







"Better By Design"

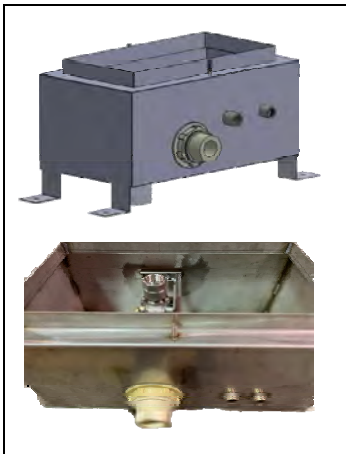
# Atlas AG UDC - Pedestal Mounted

Note: All Product Numbers on this page, use a prefix ESA.  
 Add A for Atlas, B for Bennett, or W for Wayne.  
 Contact factory for pricing for Bennett and Wayne specific footprints.



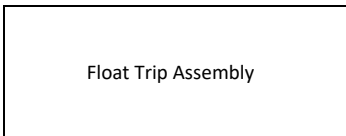
Part #	Description	List Price
PM-PC-O-O-O-O	Pedestal Mounted (PM) No Holes Basic Unit	\$1,784.16
PM-PC-CPC-O-O	Pedestal Mounted (PM) with 3/4" & 1" Welded Couplings	\$1,906.99
PM-PC-CPC-STD -1.5-O	PM w/ 1" Weld Coupling for power, PC 1 1/2" DP Shear Valve Plumbed for 1 1/2" Pipe	\$2,786.12
PM-PC-CPC-STD-2-O	PM w/ 1" Weld Coupling for power, PC 1 1/2" DP Shear Valve plumbed for 2" Pipe	\$2,786.12
PM-PC-CPC-TS1-1.5-O	Truck Stop Satellite PM w/ 3/4" & 1" Coupling, PC, double poppet shear valve for 1 1/2" Pipe	\$2,665.09
PM-PC-CPC-TS2-2-O	Truck Stop Master PM w/couplings, PC 1 1/2" Single Poppet Shear Valve and 2" DPSV plumbed for 1 1/2" & 2" Pipe	\$3,980.71
PM-PC-CPC-TS3-2-O	Truck Stop Master/Satellite PM w/couplings, PC 1 1/2" SPSV PC 1 1/2" DPSV and 2" DPSV plumbed for 1 1/2" & 2" Pipe	\$4,636.43

## Stainless Steel - Pedestal Mounted - Contact Factory for Quantity Discount for >9 Units



Part #	Description	List Price
PM-SS-O-O-O-O	Pedestal Mounted (PM) No Holes Basic Unit	\$2,688.18
PM-SS-CSS-O-O	Pedestal Mounted (PM) with 3/4" & 1" Welded Couplings	\$2,831.85
PM-SS-CSS-STD -1.5-O	PM w/ 3/4 & 1" Couplings, PC 1 1/2" DP Shear Valve Plumbed for 1 1/2" Pipe	\$3,710.98
PM-SS-CSS-STD-2-O	PM w/ 3/4 & 1" Couplings, PC 1 1/2" DP Shear Valve plumbed for 2" Pipe	\$3,710.98
PM-SS-CSS-DEF-1.5-O	Pedestal Mounted all Stainless Sump for DEF Applications with Welded Couplings & Shear Valve for 1 1/2" Pipe	\$3,484.25
PM-SS-CSS-TS1-1.5-O	Truck Stop Satellite PM w/Couplings, PC, double poppet shear valve for 1 1/2" Pipe	\$3,589.95
PM-SS-CSS-TS2-2-O	Truck Stop Master PM w/couplings, PC 1 1/2" Single Poppet Shear Valve and 2" DPSV plumbed for 1 1/2" & 2" Pipe	\$4,905.57
PM-SS-CSS-TS3-2-O	Truck Stop Master/Satellite PM w/couplings, PC 1 1/2" SPSV PC 1 1/2" DPSV and 2" DPSV plumbed for 1 1/2" & 2" Pipe	\$5,561.29

## Electrical Options



Part #	Description	List Price
SM-O-O-O-O-FTA	Float Trip Assembly installed to activate shear valve on high level Alarm	\$700.00



Diversified Products Manufacturing  
 5523 Baggett Marysville Road Oroville CA 95965  
 530-534-3966 - www.dpm-co.com - Order Entry Email: sales@dpm-llc.com





"Better By Design"

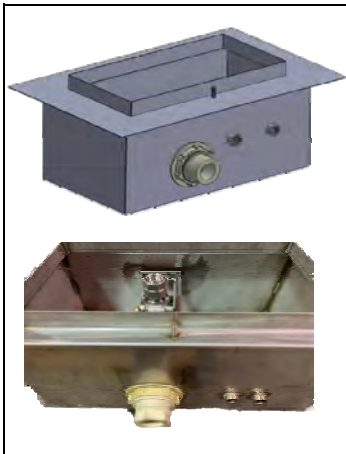
# Atlas AG UDC - Flush Mounted

Note: All Product Numbers on this page, use a prefix ESA.  
Add A for Atlas, B for Bennett, or W for Wayne.  
Contact factory for pricing for Bennett and Wayne specific footprints.



Part #	Description	List Price
FM-PC-O-O-O-O	Flush Mounted (FM) No Holes Basic Unit	\$1,784.16
FM-PC-CPC-O-O	Flush Mounted (FM) with 3/4" & 1" Welded Couplings	\$1,906.99
FM-PC-CPC-STD -1.5-O	FM w/ 3/4 & 1" Couplings, PC 1 1/2" DP Shear Valve Plumbed for 1 1/2" Pipe	\$2,786.12
FM-PC-CPC-STD-2-O	FM w/ 3/4 & 1" Couplings, PC 1 1/2" DP Shear Valve plumbed for 2" Pipe	\$2,786.12
FM-PC-CPC-TS1-1.5-O	Truck Stop Satellite FM w/Couplings, PC, double poppet shear valve for 1 1/2" Pipe	\$2,665.09
FM-PC-CPC-TS2-2-O	Truck Stop Master FM w/couplings, PC 1 1/2" Single Poppet Shear Valve and 2" DPSV plumbed for 1 1/2" & 2" Pipe	\$3,980.71
FM-PC-CPC-TS3-2-O	Truck Stop Master/Satellite FM w/couplings, PC 1 1/2" SPSV PC 1 1/2" DPSV and 2" DPSV plumbed for 1 1/2" & 2" Pipe	\$4,636.43

## Stainless Steel - Flush Mounted - Contact Factory for Quantity Discount for >9 Units



Part #	Description	List Price
FM-SS-O-O-O-O	Flush Mounted (FM) No Holes Basic Unit	\$2,688.18
FM-SS-CSS-O-O	Flush Mounted (FM) with 3/4" & 1" Welded Couplings	\$2,831.85
FM-SS-CSS-STD -1.5-O	FM w/ 3/4 & 1" Couplings, PC 1 1/2" DP Shear Valve Plumbed for 1 1/2" Pipe	\$3,710.98
FM-SS-CSS-STD-2-O	FM w/ 3/4 & 1" Couplings, PC 1 1/2" DP Shear Valve plumbed for 2" Pipe	\$3,710.98
FM-SS-CSS-DEF-1.5-O	Flush Mounted all stainless Sump for DEF Applications with Welded Couplings & Shear Valve for 1 1/2" Pipe	\$3,484.25
FM-SS-CSS-TS1-1.5-O	Truck Stop Satellite FM w/Couplings, PC, double poppet shear valve for 1 1/2" Pipe	\$3,589.95
FM-SS-CSS-TS2-2-O	Truck Stop Master FM w/couplings, PC 1 1/2" Single Poppet Shear Valve and 2" DPSV plumbed for 1 1/2" & 2" Pipe	\$4,905.57
FM-SS-CSS-TS3-2-O	Truck Stop Master/Satellite FM w/couplings, PC 1 1/2" SPSV PC 1 1/2" DPSV and 2" DPSV plumbed for 1 1/2" & 2" Pipe	\$5,561.29

## Electrical Options



Part #	Description	List Price
SM-O-O-O-O-EB	Added for installing rigid Conduit, Unilet, Seal off, & Sensor Mounting Bracket	\$311.43
SM-O-O-O-O-EL	Added per above plus Veeder Root 208 mounted and wired Other Sensors Available	\$1,347.43



Diversified Products Manufacturing  
5523 Baggett Marysville Road Oroville CA 95965  
530-534-3966 - www.dpm-co.com - Order Entry Email: sales@dpm-llc.com







# "Better By Design"

## Engineered Systems for Above Ground Under Dispenser Containment

### Technical Data Sheet

Since the introduction of EPA driven regulatory activities in 1988, contractors have been buying components to comply with these regulations. Multiple manufacturers offered products and contractors had to sort out all dimensional issues, compatibility between manufacturers and had to have complex estimating procedures. Diversified has now solved these and other problems with the introduction of our Engineered Systems. Engineered Systems are complete, tested, and ready to install. For Above Ground Under Dispenser Containment the contractor only needs to provide the footprint of the Dispenser being used and pipe size to the AG UDC.



All components are either UL Listed or third party approved for their respective applications.

Above Ground UDC's are available for Surface Mounting, Pedestal Mounting, with float trip assembly, and Flush Mounting.

UDC's are manufactured with the sumps and components ready to assemble. Individual units are often available in 1 week.

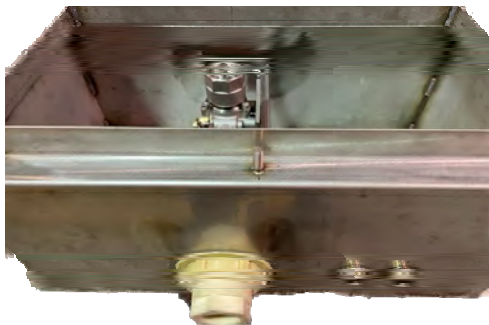
Several units for Atlas, Wayne, and Bennett are available from stock. For Non Standard units check with the factory.

Welded couplings for Power and Alarm Wiring are optional and may be located at the customers preferred location.

Engineered systems include the shear valve pre-piped from the shear valve to the fiberglass penetration fitting. Available in Powder Coated or Stainless Steel for DEF

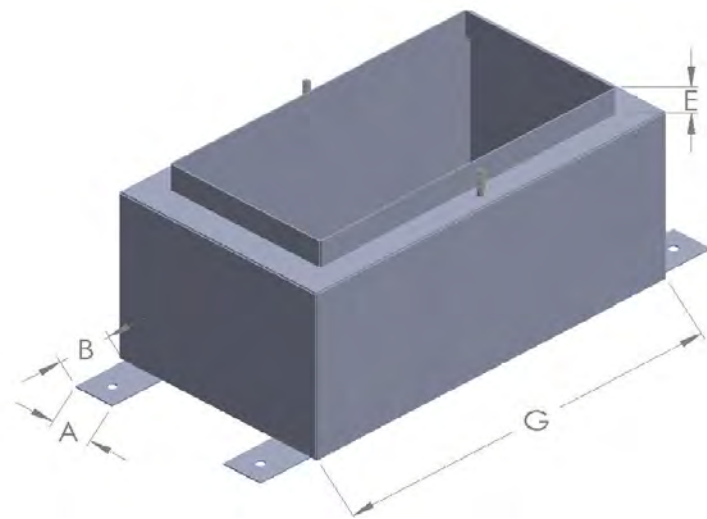
Units are available with the alarm sensor mounted and wired to Class I Division I protocols with the wiring and conduit extending to a coupling on the surface. Complete with epoxy for the seal off.

Sumps are either Powder Coated or Stainless Steel. Piping is powder coated or stainless. Wiring is in rigid electrical conduit.

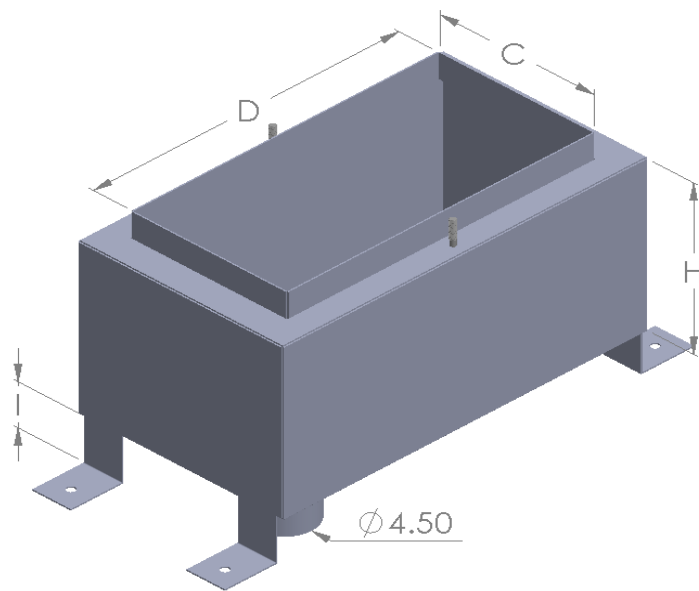


### Third Party Approvals

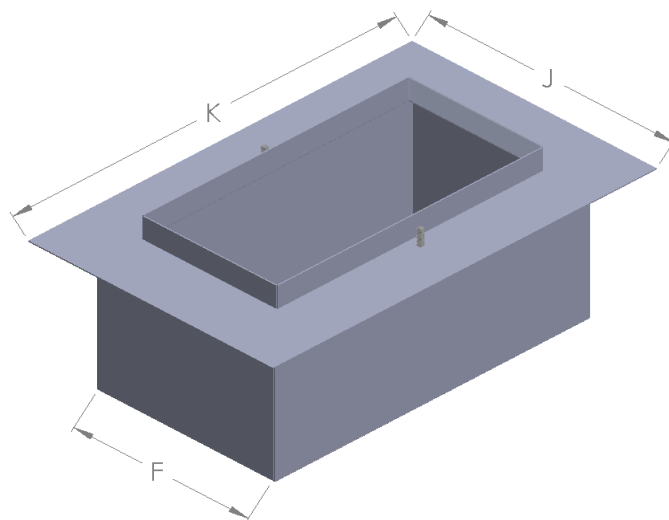




**Surface Mounted**



**Pedestal Mounted**



**Flush Mounted**

### Gilbarco Gasboy/Atlas Dispensers

Feet		Surface Mounting						Pedestal Mounting	Flush Mounting	
A	B	Rain Lip			Body			I	J	K
3	4	12.2	24	2	16	28.5	13.0	3.5	22	39.5

### Bennett Dispensers

Feet		Surface Mounting						Pedestal Mounting	Flush Mounting	
A	B	Rain Lip			Body			I	J	K





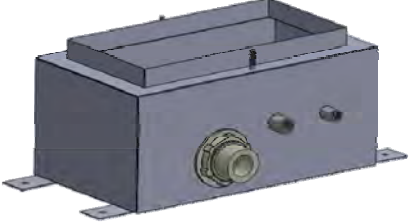

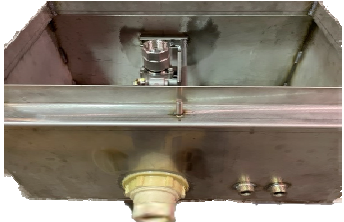
### Wayne Dispensers

Feet		Surface Mounting						Pedestal Mounting	Flush Mounting	
A	B	Rain Lip			Body			I	J	K

### Wayne Reliance & Select

Feet		Surface Mounting						Pedestal Mounting	Flush Mounting	
A	B	Rain Lip			Body			I	J	K
3	4	15.5	28.5	2	19.37	32.25	13	3.5	25.37	38.25
3	4	10.25	16.5	2	18.25	22.75	13	3.5	24.25	28.75

Select 3/G7203  
DEF S1 D3/

ES-CII-AG-UDC		<h2 style="text-align: center;">Installation Instructions</h2> <h3 style="text-align: center;">Above Ground Under Dispenser Containment</h3>	
 Diversified Products Manufacturing Inc.	 Weaver Products	<p><b>Prepare all Surfaces:</b> All surfaces where the UDC is to be mounted should be prepared prior to mounting the AG UDC.</p> <p><b>Warning:</b> Failure to follow each step will void the warranty and may result in premature failure of the system.</p>	
<p><b>Step 1</b></p> <p><b>Receive the AG UDC:</b> Uncrate the AG UDC and verify there is no damage. Any damage must be reported within 48 hours of receipt to activate the warranty. Verify that the product ordered is what is received.</p>			
<p><b>Step 2</b></p> <p><b>Mount the UDC:</b> The AG UDC is designed to be mounted on a flat surface using J bolts for anchoring to concrete, inserts such as redheads for existing concrete pads or lag bolts for wood surfaces. Locate the sump so that the penetration fitting is facing the piping system entering the sump. The mounting feet have 5/8" holes for 1/2" bolts and washers provided by the installer.</p>			
<p><b>Step 3</b></p> <p><b>Pipe to the sump:</b> The penetration fitting has a substantial rugged hex surface for backing up the fitting while threading in the pipe. <b>Warning:</b> Failure to properly back up the fitting while installing the pipe may cause damage to the fitting and/or other components of the sump. The warranty does not include damages caused by improper installation procedures. The pipe assembled to the shear valve was assembled using Gasolia. It is recommended the pipe be installed to the fiberglass penetration using the Gasolia product.</p>			
<p><b>Step 4</b></p> <p><b>Wire the sump:</b> Install conduit to the couplings welded into the exterior of the sump. Location of the couplings will be as specified when ordering. <b>Note:</b> if necessary to facilitate the installation of the wiring system, the shear valve and piping can be removed by way of the quick release at the penetration and by removing the three screws securing the shear valve to the stabilizer bar assembly. Reassembly of the sump's piping components are the responsibility of the contractor(s) involved. Diversified's warranty does not include any failures as a result to the disassembly and reassembly of the piping system.</p>		 <p style="text-align: center;">Pre Wired Sumps have the Unilet, Seal Off, and Sensor mounted and wired to the Unilet</p>	
<p><b>Step 5</b></p> <p><b>Mount and connect the Dispenser:</b> Follow all instructions provided by the dispenser manufacturer. Make sure all local, county, state, and federal regulations have been complied with prior to commissioning the dispenser.</p>			
<p><b>Tools Needed</b></p> <p>Pipe wrenches for installation of pipe</p>		<p><b>Products Needed</b></p> <p>SU-A Series                      Engineered system for Above Ground UDC's            Hardware and tools required for mounting the AG-UDC</p>	

October 30, 2020

Mr. Josh Dow  
Diversified Products Manufacturing Inc  
5523 Baggett Marysville Rd  
Oroville, CA 95965

RE: NDE Reference No: NDE20201020  
Third-Party Certification under UL 2447- Outline of Investigation for  
Fittings Accessories for Fuels

Products Evaluated: Split Repair Fittings & Test Reducers for Containment Sumps for  
Fuels PF-Penetration Fittings Series, Sump Entry Fittings and Test  
Reducers  
SR- Split Repair Sump Entry Fittings and Test Reducer Series  
FG/PG Spilt Repair Series  
CH- Series, All Chemicals used in the installation process  
SU- Sumps and Accessories

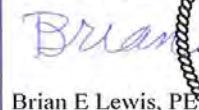
Dear Mr. Dow,

In reference to the above listed products, our testing partner on this project (N.D. Eryou, PhD, PE) has performed our UL 2447 Third-Party inspection and testing. All products listed were determined to comply with the "Outline of Investigation for Fittings and Accessories for Fuels".

It is our opinion that both the design and materials used in the above products are based on sound engineering principles and the materials are compatible with all motor fuels and additives currently being used including fuels containing >10% ethanol or 20% biodiesel. Therefore, the Spill Containment Liner should have the same chemical resistance to the UL 2447 test fuels as the DPM "Products Evaluated" listed above.

Disclaimer: Underwriters Laboratories (UL) is an independent testing laboratory and use of, in any way, of the UL Listing or Registered Trade Mark UL is prohibited unless specifically authorized by Underwriters Laboratories.

Very truly yours,

  
Brian E Lewis, PE



Roundtable Engineering Solutions, Inc  
660 Southpointe CT, Unit 300G  
Colorado Springs, CO 80906

## NOTICE OF COMPLETION OF THIRD-PARTY UL 2447 EVALUATION

February 3, 2021

Mr. Josh Dow  
Diversified Products Manufacturing Inc  
5523 Baggett Marysville Rd  
Oroville, CA 95965

RE: NDE Reference No: NDE20201020  
Third-Party Certification under UL 2447- Outline of Investigation for  
Fittings Accessories for Fuels

Products Evaluated: Split Repair Fittings & Test Reducers for Containment Sumps for Fuels  
PF-Penetration Fittings Series, Sump Entry Fittings and Test Reducers  
SR- Split Repair Sump Entry Fittings and Test Reducer Series  
FG/PG Spilt Repair Series  
CH- Series, All Chemicals used in the installation process.  
SU - Sumps and Accessories

Dear Mr. Dow

In reference to the above listed products, we have performed our UL 2447 Third-Party inspection and testing. All products listed were determined to comply with the “Outline of Investigation for Fittings and Accessories for Fuels”.

It is our opinion that both the design and materials used in the above products are based on sound engineering principles and the materials are compatible with all motor fuels and additives currently being used including fuels containing >10% ethanol or 20% biodiesel. Therefore, the Spill Containment Liner should have the same chemical resistance to the UL 2447 test fuels as the DPM “Products Evaluated“ listed above.

Further to your recent request with regard to your Canadian distributors utilization of the above test results, we have compared the testing requirements of UL (US) 2447 with CAN/ULC-S664:2017 and found them to be virtually identical.

There were only two differences that we found between the two Codes.

1. ULC S664 Section 5.8.5 “Extreme Low Temperature Impact Test – requires testing at -40°F and our tests were conducted at a minimum temperature of -30°F.



2. ULC S664 Section Appendix B 1.1 Defines 21 specific grades of fuel while UL US defines four grades of fuel, which covers the wide range of fuels commonly used by gasoline and diesel-powered vehicles.

Furthermore, we have reviewed the UL (US) website which contains the following relevant statement confirming the sharing of UL specifications between UL – US and UL - Canada:

### **“UL STANDARDS: ACCREDITED IN THE US AND CANADA**

In the US, UL is accredited by the American National Standards Institute (ANSI) as an audited designator. In 2013, UL was accredited by the Standards Council of Canada (SCC) as a nationally recognized Standards Development Organization (SDO) able to develop National Standards of Canada (NSCs).

UL's Standards Technical Panels (STPs) serve as the consensus body for both American National Standards (ANS) and National Standards of Canada (NSC). Essential information About UL's standards development programs, how to Access Standards, and how to participate in the UL programs used to Develop Standards is available on this site.”

It should not be inferred that our test of DPM products addresses the issue of long-term quality control issues as both UL (US) and UL Canada do with their annual subscription programs.

Disclaimer: Underwriters Laboratories (UL – US & UL - Canada) are independent testing laboratories and use of, in any way, of the UL Listing or Registered Trademark UL is prohibited unless specifically authorized by Underwriters Laboratories (US or Canada).

Very truly yours,



N.D. Eryou, Ph.D., P.E.  
Eryou Engineering  
[dennis@eryouengineering.com](mailto:dennis@eryouengineering.com)

**NOTICE OF COMPLETION OF THIRD-PARTY UL 2447 EVALUATION**

October 22, 2020

Mr. Josh Dow  
Diversified Products Manufacturing Inc  
5523 Baggett Marysville Rd  
Oroville, CA 95965

RE: NDE Reference No: NDE20201020  
Third-Party Certification under UL 2447- Outline of Investigation for  
Fittings Accessories for Fuels

Products Evaluated: Split Repair Fittings & Test Reducers for Containment Sumps for Fuels  
PF-Penetration Fittings Series, Sump Entry Fittings and Test Reducers  
SR- Split Repair Sump Entry Fittings and Test Reducer Series  
FG/PG Spilt Repair Series  
CH- Series, All Chemicals used in the installation process  
SU- Sumps and Accessories

Dear Mr. Dow

In reference to the above listed products, we have performed our UL 2447 Third-Party inspection and testing. All products listed were determined to comply with the "Outline of Investigation for Fittings and Accessories for Fuels".

It is our opinion that both the design and materials used in the above products are based on sound engineering principles and the materials are compatible with all motor fuels and additives currently being used including fuels containing >10% ethanol or 20% biodiesel. Therefore, the Spill Containment Liner should have the same chemical resistance to the UL 2447 test fuels as the DPM "Products Evaluated" listed above.

Disclaimer: Underwriters Laboratories (UL) is an independent testing laboratory and use of, in any way, of the UL Listing or Registered Trade Mark UL is prohibited unless specifically authorized by Underwriters Laboratories.

Very truly yours,



N.D. Eryou, Ph.D., P.E.



**Competitive Analysis  
Bravo Compared to DPM  
Above Ground Under Dispenser Containment  
In House Document Only**

The following is an analysis prepared for DPM internal use. The findings are those of John Rowe based on available literature and observation.

Bravo provides an above ground under dispenser containment in both Powder Coated Steel and Stainless Steel.  
 Bravo's catalog refers to these products as "Above Ground Dispenser Containment".  
 Bravo catalogs Pedestal with and without Sensor Cups and Flush Mount Products.  
 DPM catalogs a surface mount, a pedestal mount, with a sensor cup, and Flush Mounted options  
 The DPM pedestal is raised 4" off the floor to allow for a mechanical float trip assembly which Bravo also catalogs  
 Bravo only offers the box in the base price. The Stabilizer Bar Assembly, Penetrations, and Labor to install penetrations is all extra.  
 Diversified's base unit comes with a 1" coupling and a 3/4" coupling welded into the sump's body as an option see wizard.  
 Diversified offers the piping and shear valve installed as well as a wiring package installed with a sensor of the customers choice.  
 Diversified offers the Veeder Root "208" sensor standard or will provide any customer specified sensor.  
 Diversified's wiring option includes rigid pipe, a unilet, and seal off with the epoxy necessary to complete the installation.  
 Bravo does not include freight in their pricing. DPM does include freight in the price.  
 Diversified's price is more competitive than Bravo for like or nearly alike products.  
 Bravo catalogs a single product unit with one or two stabilizer bars.  
 Units that support two product lines are available from DPM contact the factory for availability.  
 Bravo does not offer a pre-piped or wired product. For pre-piped units the customer must provide a footprint for the dispenser being used.  
 The price comparisons below do not represent all configurations available from Bravo. Note: Bravo's price catalog is dated 4.15.2023.

The DPM product is epoxy powder coated 12 gauge Steel or 12 gauge 304 Stainless Steel.  
 The DPM product includes one Stabilizer Bar Assembly.  
 The DPM Product includes surface freight to its first destination in the contiguous United States in the price.

**Epoxy Powder Coated 12 Gauge Steel**

	<b>April 15 2023 Product Catalog</b>	<b>June 2023 Catalog</b>
--	--------------------------------------	--------------------------

	List Price		DPM List Price
Bravo Gasboy & Bennett 3000 Series			
Basic Sump A6430-1 & A6670-1	\$1,051.22		ESA-SM- \$1,784.46
Boss Mtd Bracket BK-A6000-1	\$100.58		included
SP Shear Valve SV	\$307.72		Double Poppet included
1" Penetration EBS	\$43.30		included
3/4" Penetration B-17	\$37.84		included
Pipe Penetration B-33	\$87.66		included
	\$1,628.32		

<b>Plus</b>			
Labor to install Penetrations	??		Included
Bonder for penetrations	??		Included
<b>Freight</b>	??		included
Quantity Discount	None		>9 Units

**12 Gauge 304 Stainless Steel**

	List Price		DPM List Price
Bravo Gasboy & Bennett 3000 Series			
Basic Sump A6430-3 & A6670-3	\$2,169.77		ESA-SM- \$2,688.18
Boss Mtd Bracket BK-A6000-3	\$191.65		included
SP Shear Valve SV	\$307.72		Double Poppet included
1" Penetration EBS	\$47.32		included
3/4" Penetration B17	\$37.84		included
Pipe Penetration B-33	\$79.87		included
	\$2,834.17		

<b>Plus</b>			
Labor to install Penetrations	??		Included
Bonder for penetrations	??		Included
<b>Freight</b>	??		<b>Included</b>
Quantity Discount	None		>9 Units

## Competitive Analysis Morrison compared to DPM Above Ground Under Dispenser Containment In House Document Only

The following is an analysis prepared for DPM internal use. The findings are those of John Rowe based on available literature and observation.

Morrison provides an above ground under dispenser containment in both Powder Coated Steel and Stainless Steel.  
Morrison's catalog refers to these products as "Dispenser Pedestals" They catalog a gasboy unit with a small opening for the dispenser of 14 1/2x10".  
DPM does not catalog this size but can make it on request and if demand is sufficient it will be a catalog item.  
Morrison's reference to Pedestal is significantly different than DPM's. The Morrison Pedestal appears to be one or two inches off the surface.  
The DPM pedestal is raised 4" off the floor to allow for a mechanical float trip assembly which Morrison does not currently catalog.  
Morrison offers the Pedestal Unit while DPM offers Surface Mounted, Pedestal Mounted and Flush Mounted products.  
Morrison only offers the box and penetration fittings. The penetrations fittings are manufactured by Diversified at this writing.  
Diversified offers the piping and shear valve installed as well as a wiring package installed with a sensor of the customer's choice.  
DPM provides as a standard the Veeder Root "208" sensor. Wiring includes rigid pipe, a unilet, and seal off with the epoxy's necessary.  
Morrison does not include freight in their pricing. DPM does include freight in the price.  
Diversified's price is more competitive than Morrison for like to near like products.  
Morrison Catalogs a single product unit with 1 Stabilizer Bar and a 2 Product with 2 Stabilizer Bar Assemblies.  
Under Dispenser Containment for two products are available from DPM contact the factory for availability.  
Morrison does not offer a pre-piped or wired product. For pre-piped units the customer must provide Diversified a footprint for the dispenser.

The DPM product is epoxy powder coated 12 gauge Steel  
The DPM product includes one Stabilizer Bar Assembly  
The DPM Product includes surface freight to its first destination in the contiguous United States

### Epoxy Powder Coated 12 Gauge Steel

		August 2022 Price List		June 2023 Catalog	
		2022			
		List Price		DPM	
				List Price	
Morrison				DPM	
Basic Sump	434-14001 AK	<b>\$1,870.81</b>		ESA-SM-	\$1,784.46
1" Penetration	434CB-100-1B	\$47.32			included
3/4" Penetration	434CB-075-1B	\$47.32			included
Includes 1 SBA					

### Plus

Shear Valve		??	??		Included
Labor to install penetrations		??	??		included
Penetration for pipe		??	??		Included
Bonder for penetrations		??	??		Included
<b>Freight</b>		??	??		<b>included</b>
Quantity Discount		None	None		>9 Units

### 12 Gauge 304 Stainless Steel

		2022			
		List Price		List Price	
Basic Sump	434S-14001 AK	\$3,032.11		ESA-SM	\$2,688.18
1" Penetration	434CB-100-1B	\$47.32			included
3/4" Penetration	434CB-075-1B	\$47.32			included
Includes 1 SBA					

### Plus

Shear Valve		??	??		Included
Labor to install penetrations		??	??		included
Penetration for pipe		??	??		Included
Bonder for penetrations		??	??		Included
<b>Freight</b>		??	??		<b>Included</b>
Quantity Discount		None	None		>9 Units